

Specifications

Input Level	MIC setting: -35 dBu ideal -6 dBu max LINE setting: 0 dBu ideal +36 dBu max
Output Level	nominal MIC levels
Frequency Response	20Hz to 20 KHz (+/- 3 dB)
Phantom Power	Dual regulated 48 volt power supplies Current to 14 mA (direct short)
Battery Type	One standard 9 volt alkaline battery LED battery indicator
Battery Duration	4 hours continuous use typical
Case	Powder coated aluminum
Dimensions	6.25" L x 2.5" W x 1.25" H
Weight	16 oz

Limited One Year Warranty

This warranty covers any defects or malfunction in your new BeachTek adapter for one year.

BeachTek will replace any defective or malfunctioning adapter, within the warranty period, with a new unit at no charge. The warranty does not cover damage resulting from accident, alteration, misuse or abuse. The device must be sent to our service center at your expense.

Should you require service please contact us first before returning the unit to us. Return instructions can be found on our website at www.beachtek.com/questions.html

Upon receiving the returned adapter it will be inspected and replaced if found defective. The unit will be shipped back to you within five business days at our expense.

BeachTek Inc.

1855 Kirschner Road, Suite 230
Kelowna, BC, V1Y 4N7

tel (416) 690-9457

email adapter@beachtek.com

web www.beachtek.com

©2008 BeachTek Inc.

DXA-6A

Operating Instructions for the DXA-6A Dual Phantom
Power Adapter - For use on the Sony VX2100, FX1 or FX7



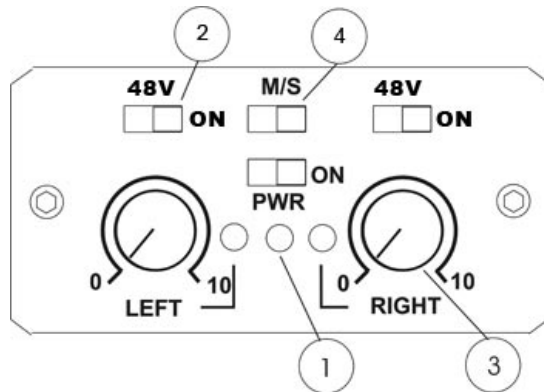
The BeachTek DXA-6A is a two channel, transformer balanced XLR adapter with built-in 48 volt phantom power supplies. This adapter is designed to easily attach two professional, balanced microphones or wireless systems to the Sony VX and FX series of camcorders. The DXA-6A gives you all the benefits of using balanced audio devices for clean audio as well as control over the signal levels to ensure the best possible sound recording.

The DXA-6A is very easy to set up and use. Its rugged construction ensures years of use and its compact size fits neatly under the camcorder - can also be mounted to any standard tripod. Since the adapter is a passive device, it is completely silent and the premium transformers ensure superb audio.

- Before using this high quality device, please read this operating manual thoroughly to obtain the highest performance.
- Please contact us if you have any problems or questions.

BeachTek

Front Panel Controls and Indicators



Mounting and Connection

Mount the DXA-6A securely to the tripod bushing on the under side of your camcorder. Connect the cable from the DXA-6A to the camcorder's microphone jack and set the input mode of the camera to "MIC". The camcorder's onboard microphone should now be disabled. You are now ready to attach external audio devices to the adapter.

Adapter Controls and Connectors

1. Power

Install a fresh 9 volt alkaline battery in the adapter if you wish to use phantom power (battery is not required to pass the audio signal). Turn on the unit to activate the phantom power supplies. The Power LED should light to indicate good battery power. Turn off the power when not in use to conserve battery power.

2. Phantom Power

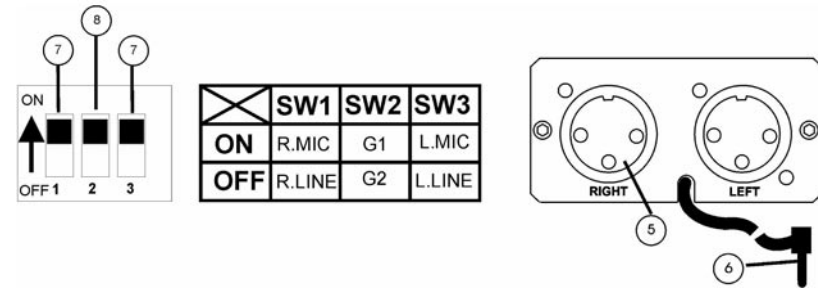
If your condenser microphone requires 48 volts phantom power to operate, first connect the microphone to the adapter. Activate the PWR ON switch and then the PH ON switch for the channel it is connected to. The LED beside the corresponding channel trim control should light to indicate that 48 volt power is present. Do not plug dynamic microphones, unbalanced devices, wireless receivers or feeds from mixing boards into the adapter with the phantom power activated as it may damage the connecting device.

3. Trim Controls

You can use the automatic gain control (AGC) in the camera to adjust the optimum audio levels for recording. The DXA-6A trim controls should normally be set as high as possible to achieve the maximum signal to noise ratio. If necessary, adjust either the left or right trim control to balance both inputs so they are of equal amplitude. You may have to use the trim controls to reduce the signal strength to avoid distortion if you are using very sensitive microphones or recording very loud sounds. You should monitor the audio with headphones connected to the camera to ensure good quality audio.

You can also switch the AGC off for manual control over the audio levels. Initially set the camera gain to about 30 to 50% of maximum. If necessary, adjust either the left or right trim control to balance both inputs so they are of equal amplitude. Then set the desired recording level with the manual level control on the camcorder. As above, you may have to adjust the trim controls when using sensitive microphones or recording very loud sounds.

Rear Panel Controls and Connections



As a guide, the recording levels should be no higher than -12 dBFS (Full Scale). Please refer to your camcorder's user manual for more information on setting the proper recording levels.

4. MONO / STEREO Switch

The MONO setting mixes both channels together and sends the audio to both the right and left channels which is ideal when only one microphone is being used. Stereo keeps both channels separated when two microphones are connected to the adapter for two discreet audio channels. When in MONO mode, be sure to keep the trim control on the unused channel fully clockwise to reduce the loading effect on the working channel.

5. XLR Inputs

The two XLR inputs can accept balanced or unbalanced connections. To convert the input to unbalanced, simply ground pin 1 to 3 on the XLR input cable. We recommend the use of sensitive condenser type microphones for the best results. Dynamic microphones usually do not have sufficient output levels and may result in an excessive amount of hiss from the high level of amplification necessary by the camera's audio preamplifiers. Microphones with a sensitivity rating of greater than -40 dBV are ideal.

6. Output Cable

The attached shielded cable terminates in a gold plated, stereo mini plug connector. Plug this into the microphone jack on your camcorder.

Bottom Dip Switches

7. MIC / LINE Switches

To connect a microphone to either channel of the DXA-6A, set the corresponding dip switch (SW1 for right and SW3 for left) to MIC. This is the default factory setting. To connect a line level output from a mixer to the DXA-6A, set the corresponding dip switch to LINE to activate a 40 dB pad. This attenuates the signal to the proper level so that it will not overdrive the input of your camcorder.

8. Ground Lift Switch

To eliminate any noises caused by ground loops, you may have to adjust the setting of the ground switch. Set SW2 dip switch on the DXA-6A to either the G1 or G2 setting depending upon which position that gives you the least amount of noise. This switch allows the input and output grounds to be isolated to prevent ground noise. The factory preset is G1.